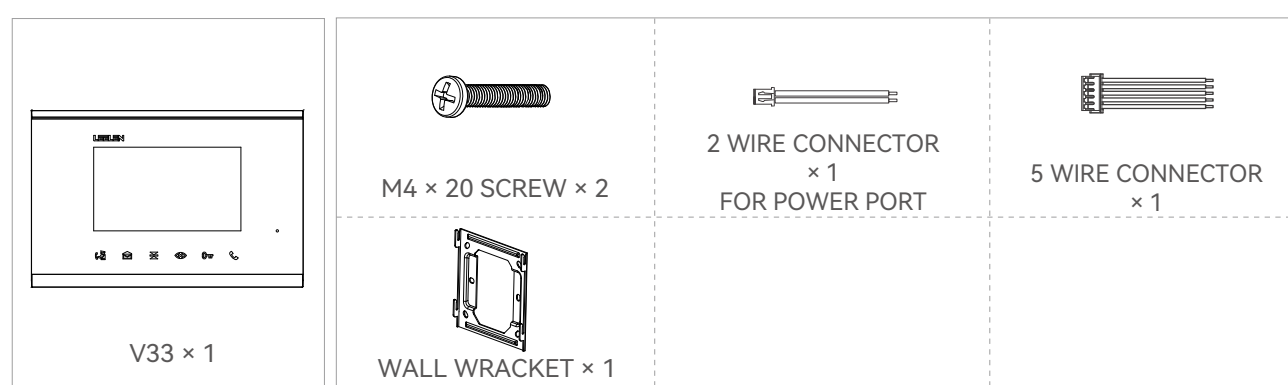
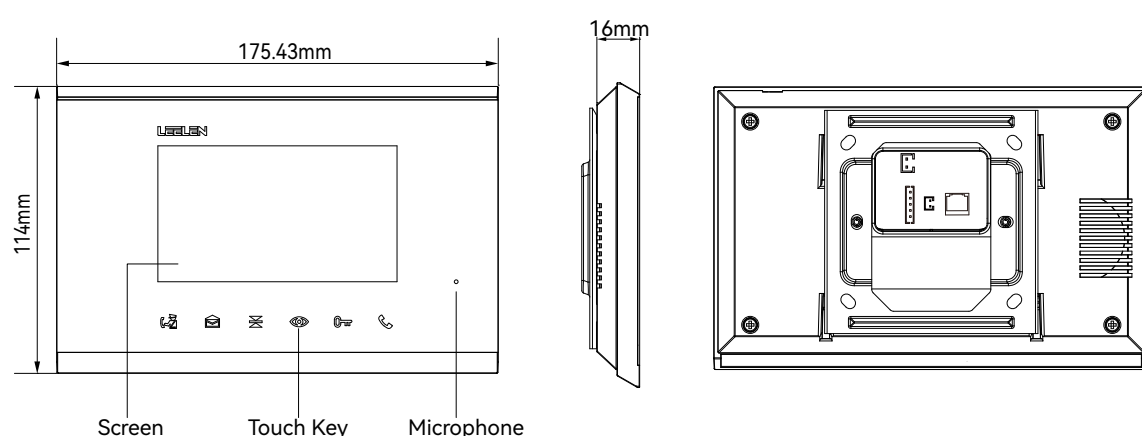


## Unpacking

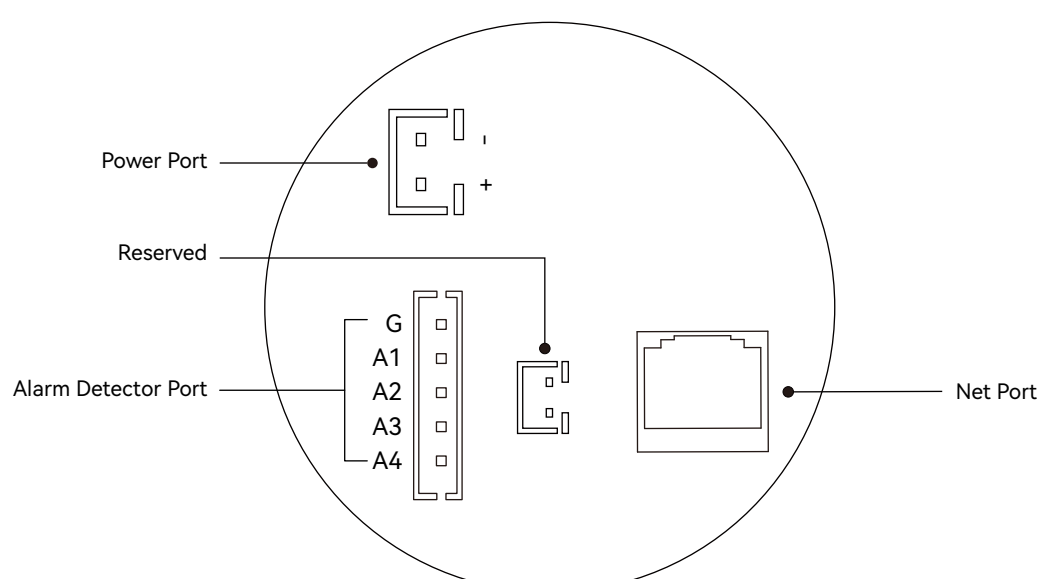
Please make sure the main package and the accessory package contain the following items :



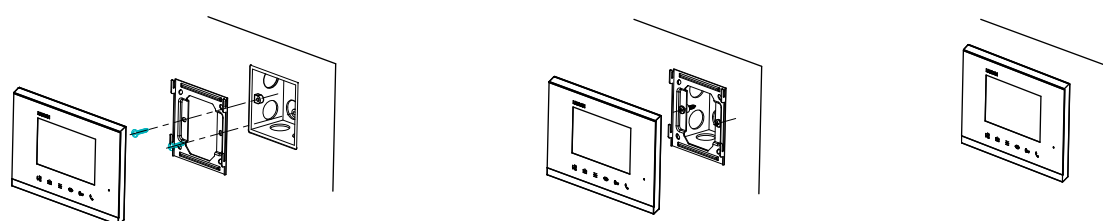
## Product overview



## Terminal and Wiring



## Installation



- Fix the wall mounting wracket on the junction box with screws.
- Hang the device onto the wall mounting wracket after wiring is completed.
- Device installation completed.

## Support Model Type

Model	Description
EH-IS-V33-EN1	Black, 4.3-inch LCD screen, Touch key

## Configuration

- Long press the key to enter the user settings function.
- Press the with password 999999 to enter Engineering settings function.
- Select the **Network parameter settings** option to set:
  - IP Address Set: Set the IP Address data.
  - Subnet Mask Set: Set the Subnet Mask data.
  - Router: Set the Router data.
- Press the **Device No. Settings** to enter the Device No. settings function.
  - Device No. Set: Set the device number data.

Notice: The user also can enter the Web configuration of the device with <http://IP:8000/> to set the parameters. (The default username/password: admin/999999)

## Operation

- Make a call:**  
Input the room number, press dial key to make a call.
- Receive a call:**  
Press answer key on the ring interface to pick up the incoming call.
- Message:**  
Press message key on the ring interface to leave a voice message when call other Indoor Station.
- Unlock by a call:**  
Press unlock key on the ring interface or the intercom interface to open the door.

### Notice Information

Information contained in this document is believed to be accurate and reliable at the time of printing. The document is subject to change without notice, any update to this document can be viewed on Leelen's website.

<https://www.global-leelen.com/>  
Copyright © 2022 Xiamen Leelen Technology Co.,Ltd.  
All Rights Reserved.